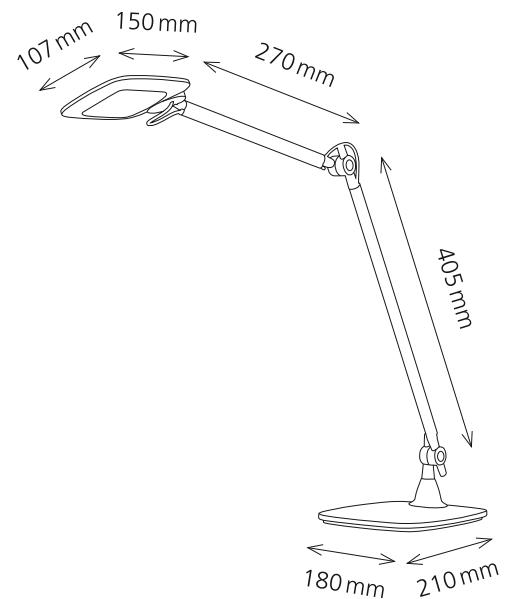


LED E-Motion

- Modern LED lamp made of aluminium and ABS
- The motion sensor on the head allows to turn the lamp on and off by hand movement
- Continuously dimmable with memory function
- 3 different levels of colour temperature selectable (3300, 5000 and 6500 Kelvin)
- Thanks to a ball joint the head is rotatable in all directions



Technical data

Power:	9 W
Weighted energy consumption:	9 kWh / 1000 h
Voltage:	100–240 V AC, 50–60 Hz
Luminous flux:	585 Lumen
Luminous efficacy:	68 Lumen / Watt
Colour temperature:	3300, 5000, 6500 Kelvin
Maximum illuminance:	1400 Lux (measuring distance 40 cm)
Colour rendering index (CRI):	> 80
Life time:	20 000 hours
Extension:	max. 650 mm
Height:	max. 750 mm
Arm length:	405 mm x 270 mm
Base:	210 mm x 180 mm (L x W)
Head of lamp:	150 mm x 107 mm (L x W)
Net weight:	1.45 kg
Material:	aluminium, ABS
Packaging:	4-coloured sales packaging
Light source:	energy efficiency class: E model identification: emoti0000068x

Item number: **41-5010.688 silver**
41-5010.689 white

Interchangeability

The lighting source cannot be replaced. The construction of the luminaire does not allow the lighting source to be replaced, as there is a risk of damaging the luminaire.

Data verification

Electrical and photometric data checked by the lighting lab of the University of Applied Sciences of the Grisons, Switzerland.

styro ag
Frauholzstrasse 27
CH-6422 Steinen
www.styro.ch