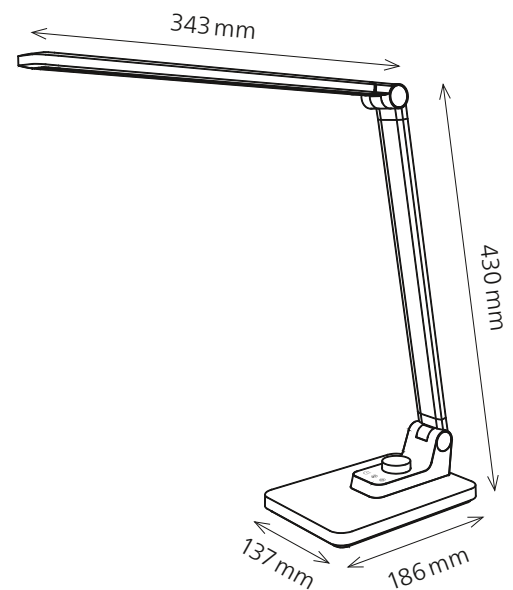


Breeze

- The light intensity is continuously adjustable (10 ~ 100 %) by means of a rotary knob
- Choice of 3 colour temperatures
- Memory function
- Switch for automatic turn-off after 90 seconds
- Luminaire head can be rotated by + / - 80° and tilted by 180°



Technical data

Power:	9 W
Weighted energy consumption:	9 kWh / 1000 h
Voltage:	220–240 V AC, 50–60 Hz
Luminous flux:	450 Lumen
Colour temperature:	3000–5800 Kelvin
Maximum illuminance:	870 Lux (measuring distance 40 cm, 4000 Kelvin)
Colour rendering index (CRI):	> 80
Life time:	30 000 hours
Extension:	max. 680 mm
Height:	max. 440 mm
Base:	137 × 186 mm
Head of lamp:	43 × 343 mm
Cable length:	1.3 m
Net weight:	0.85 kg
Material:	Aluminium, ABS
Packaging:	white packaging with coloured label
Light source:	energy efficiency class: E Model identifier: breeze0010010x

Item number: **41-5011.103 grey metallic**
41-5011.104 brushed silver

Interchangeability

The lighting source cannot be replaced. The construction of the luminaire does not allow the lighting source to be replaced, as there is a risk of damaging the luminaire.

styro ag
Frauholzstrasse 27
CH-6422 Steinen
www.styro.ch