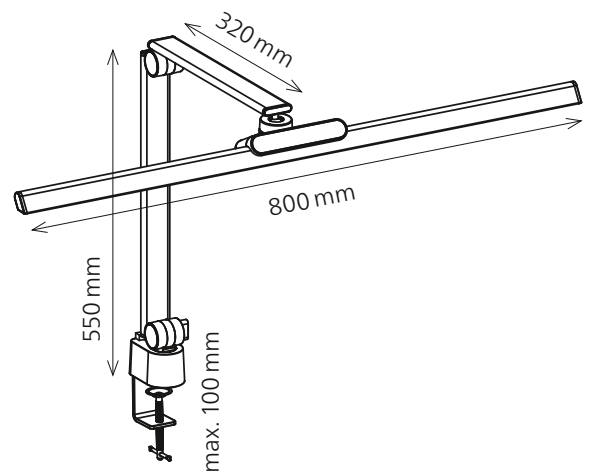


Flow

- LED screen luminaire with a large lamp head
- Adjustable light intensity
- 5 different levels of color temperature selectable between 2700–6000 Kelvin
- Light sensor for brightness adjustment
- Switch for automatic turn-off after 50 minutes
- Memory function



Technical data

Power:	18 W
Weighted energy consumption:	18 kWh / 1000 h
Voltage:	100 – 240 VAC, 50 – 60 Hz
Luminous flux:	1000 Lumen
Luminous efficacy:	56 Lumen / Watt
Colour temperature:	2700–6000 Kelvin
Maximum illuminance:	1600 Lux (measuring distance 40 cm, 4000 Kelvin)
Colour rendering index (CRI):	> 90
Life time:	40 000 hours
Extension:	max. 660 mm
Height:	max. 770 mm
Arm length:	480 mm × 320 mm
Clamp:	75 mm × 45 mm, opening 0–100 mm
Head of lamp:	800 × 30 mm (L × w)
Cable length:	1.55 m
Net weight:	1.23 kg
Material:	ABS, aluminium, metal
Packaging:	brown packaging with coloured label
Light source:	energy efficiency class: F Model identifier: flow000100201

Item number: 41-5011.201 anthracite

Interchangeability

The lighting source cannot be replaced. The construction of the luminaire does not allow the lighting source to be replaced, as there is a risk of damaging the luminaire.

styro ag
Frauholzstrasse 27
CH-6422 Steinen
www.styro.ch