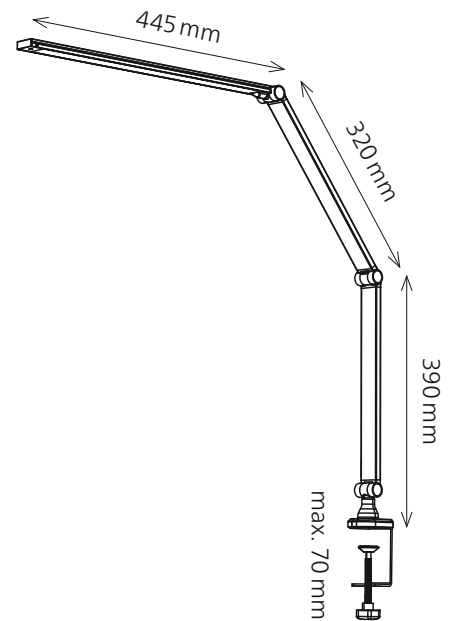


Ray

- Can be operated by remote control or on the head
- High light quality / Colour rendering >90
- Switches for automatic turn-off after 60 seconds or 10 minutes
- Variable and changeable colour temperature
- Memory function



Technical data

Power:	10 W
Weighted energy consumption:	10 kWh / 1000 h
Voltage:	220–240 V AC, 50–60 Hz
Luminous flux:	600 Lumen
Luminous efficacy:	60 Lumen / Watt
Colour temperature:	3000–6000 Kelvin
Maximum illuminance:	1100 Lux (measuring distance 40 cm)
Colour rendering index (CRI):	> 90
Life time:	30 000 hours
Extension:	max. 600 mm
Height:	max. 540 mm
Arm length:	320 mm × 320 mm
Clamp:	58 mm × 50 mm, opening 0–70 mm
Head of lamp:	445 mm × 30 mm (L × W)
Cable length:	1.5 m
Remote control:	Infrared transmitter, range approx. 3.5 m 2 × AAA batteries (not included)
Net weight:	0.83 kg
Material:	ABS, aluminium, iron
Packaging:	brown packaging with coloured label
Light source:	energy efficiency class: F Model identifier: ray0000100007

Item number: 41-5011.007 black

Interchangeability

The lighting source cannot be replaced. The construction of the luminaire does not allow the lighting source to be replaced, as there is a risk of damaging the luminaire.

styro ag
Frauholzstrasse 27
CH-6422 Steinen
www.styro.ch