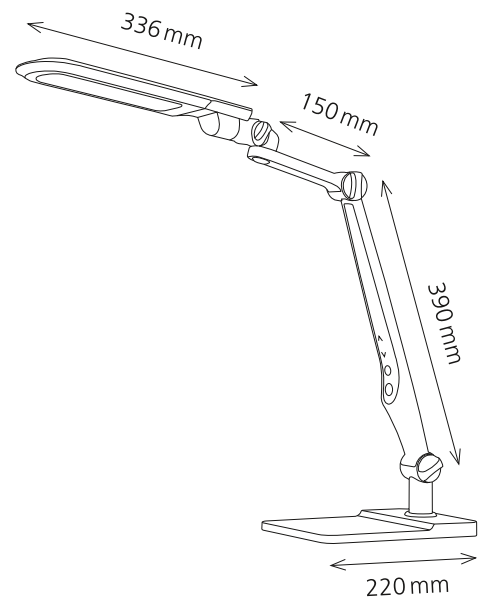


LED Multiflex

- Robust and variously adjustable LED lamp
- Light intensity is steplessly adjustable
- 3 colour temperature steps, selectable from warm white to daylight white
- Head can be swiveled horizontally, vertically and tilted in the longitudinal axis
- Supplied with base and clamp



Technical data

Power:	9 W
Weighted energy consumption:	9 kWh / 1000 h
Voltage:	100–240 V, 50–60 Hz
Luminous flux:	550 Lumen
Luminous efficacy:	55 Lumen / Watt
Colour temperature:	3100, 4400, 6100 Kelvin
Maximum illuminance:	1325 Lux (measuring distance 40 cm)
Colour rendering index (CRI):	> 80
Life time:	20 000 hours
Extension:	max. 660 mm
Height:	max. 600 mm
Arm length:	390 x 150 mm
Base:	220 mm x 158 mm (L x W)
Head of lamp:	336 mm x 65 mm (L x W)
Cable length:	1.3 m
Net weight:	1.4 kg
Material:	ABS, iron, PS
Packaging:	4-coloured sales packaging
Light source:	energy efficiency class: E model identification: multi00000715

Item number: 41-5010.715 white / silver

Interchangeability

The lighting source cannot be replaced. The construction of the luminaire does not allow the lighting source to be replaced, as there is a risk of damaging the luminaire.

styro ag
Frauholzstrasse 27
CH-6422 Steinen
www.styro.ch