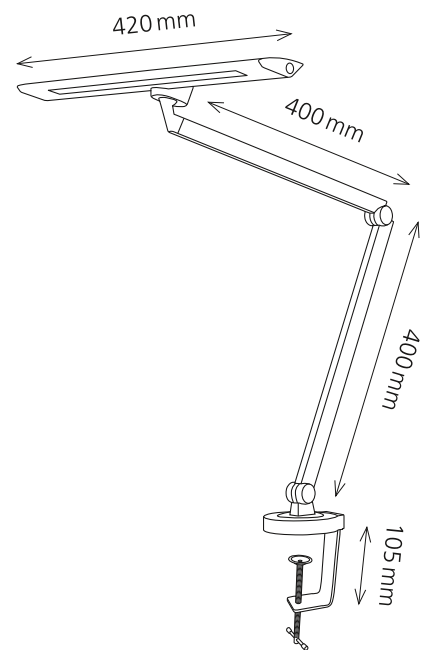


LED Zirkon

- Varied, adjustable for optimal light adjustment
- Head and double arm are made of high-quality aluminium
- switch / dimmer on the lamp base
- Luminous intensity adjustable in 3 steps or continuously variable
- Clamp with wide opening



Technical data

Power:	12 W
Weighted energy consumption:	12 kWh / 1000 h
Voltage:	100 – 240 V AC, 50 – 60 Hz
Luminous flux:	650 Lumen (120° solid angle)
Luminous efficacy:	63 Lumen / Watt
Colour temperature:	5000 Kelvin (neutral white)
Maximum illuminance:	1950 Lux (measuring distance 40 cm)
Colour rendering index (CRI):	> 80
Life time:	50 000 hours
Extension:	max. 800 mm
Height:	max. 820 mm
Arm length:	400 mm x 400 mm
Clamp:	Ø 95 mm, opening 0 – 105 mm
Head of lamp:	420 mm x 70 mm (L x W)
Cable length:	1.4 m
Net weight:	1.2 kg
Material:	aluminium, iron, ABS, PC
Packaging:	coloured sales packaging
Light source:	energy efficiency class: D model identification: zirko00000718

Item number: 41-5010.718 black

Interchangeability

The lighting source cannot be replaced. The construction of the luminaire does not allow the lighting source to be replaced, as there is a risk of damaging the luminaire.

styro ag
Frauholzstrasse 27
CH-6422 Steinen
www.styro.ch