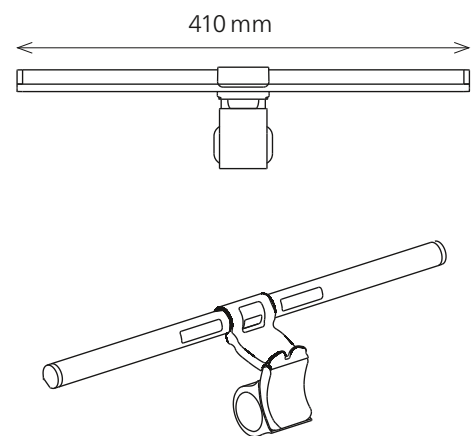


Flash

- LED screen luminaire with independent control of the main and back lighting
- Touch-sensitive switch at the end of the luminaire head (right for main light, left for back light)
- Different colour temperature levels selectable (sequence ON / 1 / 2 / 3 / OFF)
- Memory function
- Lamp head can be turned 270°
- For a screen thickness of 0.5 to 3.2 cm



Technical data

Power:	5 W
Weighted energy consumption:	5 kWh / 1000 h
Voltage:	Input: DC 5V, 1 A
Luminous flux:	170 Lumen
Luminous efficacy:	34 Lumen / Watt
Colour temperature:	3100, 4200, 6400 Kelvin
Maximum illuminance:	360 Lux (measured 40 cm off table surface) main light
Colour rendering index (CRI):	> 90 main light, > 80 back light
Life time:	30 000 hours
Display:	screen thickness of 0.5 to 3.2 cm
Head of lamp:	410 mm length
USB Cable length:	1.5 m
Net weight:	370 g
Material:	ABS, iron
Packaging:	brown packaging with coloured label
Light sources:	energy efficiency class: F – main light energy efficiency class: G – back light Model identifier: flash00110004 main light flash00120004 back light

Item number: 41-5011.004 black

Interchangeability

The lighting source cannot be replaced. The construction of the luminaire does not allow the lighting source to be replaced, as there is a risk of damaging the luminaire.

styro ag
Frauholzstrasse 27
CH-6422 Steinen
www.styro.ch