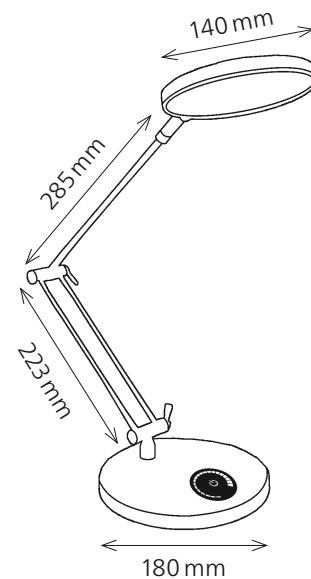


Spark

- High light quality / Colour rendering >90
- Continuously adjustable light intensity (10~100%)
- Memory function
- Luminaire head can be turned by 330°, tilted by 180°
- Luminaire arm can be adjusted in various ways



Technical data

Power:	12 W
Weighted energy consumption:	12 kWh / 1000 h
Voltage:	220 – 240 VAC, 50 – 60 Hz
Luminous flux:	600 Lumen
Colour temperature:	4000 Kelvin (warm white)
Maximum illuminance:	1100 Lux (measuring distance 40 cm)
Colour rendering index (CRI):	> 90
Life time:	30 000 hours
Extension:	max. 600 mm
Height:	max. 540 mm
Base:	Ø 180 mm
Head of lamp:	Ø 140 mm
Cable length:	1.8 m
Net weight:	1.7 kg
Stability:	no tilting with an angle > 35° between arm and table
Material:	zinc alloy, stainless steel
Packaging:	brown packaging with coloured label
Light source:	energy efficiency class: F Model identifier: spark00100001

Item number: 41-5011.001 white

Interchangeability

The lighting source cannot be replaced. The construction of the luminaire does not allow the lighting source to be replaced, as there is a risk of damaging the luminaire.

styro ag
Frauholzstrasse 27
CH-6422 Steinen
www.styro.ch